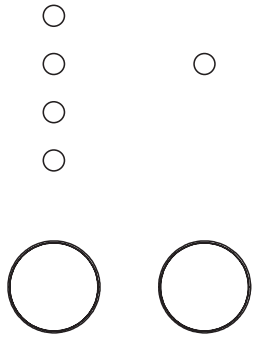
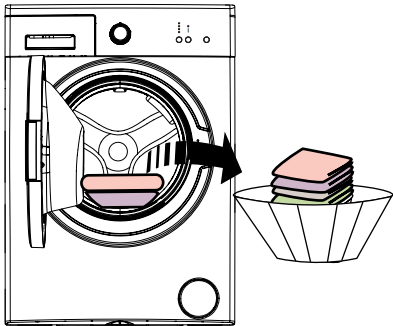


6 Operating Your Machine



By pressing on Start/Pause button, you may start the programme you have selected, suspend a running programme.

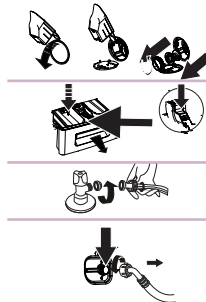
7 Removing Laundry



- After a program is completed, the washing machine will turn off automatically.
- End led will blink on the display panel.

8 Maintenance

- 1- It is recommended that you clean your pump filter once in 2 months.
- 2- It is recommended that you clean your detergent drawer once in 2 months.
- 3- It is recommended that you clean your the filters on water inlet valves once in 2 months.
- 4- Clean the filter every 2 months at the end of the valves.

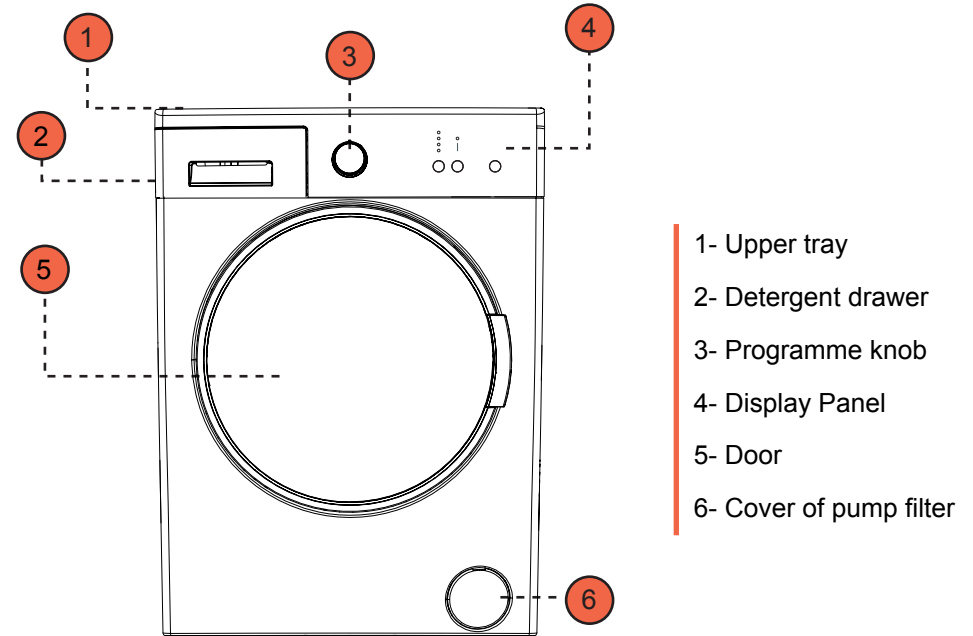


If the spinning operation is not performed or runs late, it means, the unbalance load control system has been activated. Unbalance load control system will try to spread your laundries homogeneously. Spinning operation will start after spreading your laundries.

52124521

QUICK USER MANUAL

DESCRIPTION OF THE MACHINE



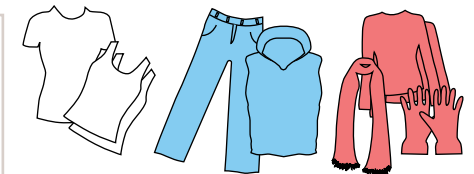
- 1- Upper tray
- 2- Detergent drawer
- 3- Programme knob
- 4- Display Panel
- 5- Door
- 6- Cover of pump filter

WASHING




- Connect the washing machine to a power socket.
- Open the water tap.

1 Separating Laundries

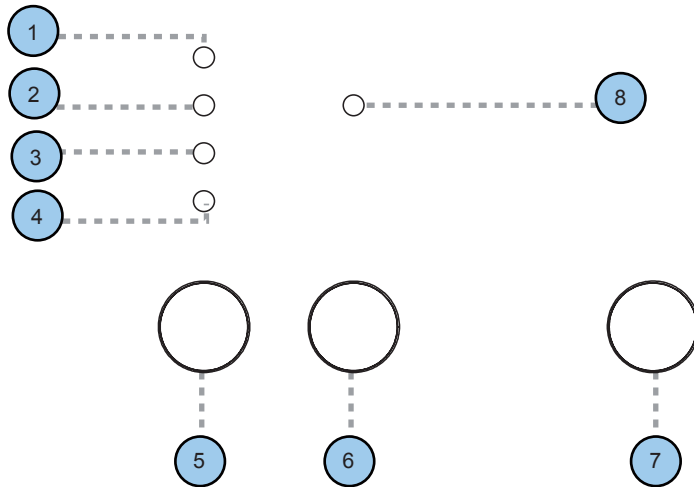
Separate your laundries according to their types (cotton, synthetic, sensitive, woollen, etc.), their temperatures (cold, 30°, 40°, 60°, 90°) and degree of contamination (slightly stained, stained, highly stained).



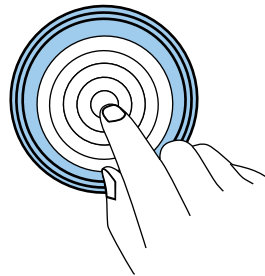
5 Display Panel (*)

From the function leds of your machine, you can see how much longer it will start to run after, the auxiliary functions you have selected and the stage of the programme you are running on your machine. ( pre wash / wash state,  rinsing stage,  spinning stage).

The display panel will not only warn you with LED combinations that would flash on its indicators when an error is simultaneously occurred on your machine, but also reports you that the washing program is finished by the appearance of "Finish LED" on its indicator when the washing program you selected is ended.

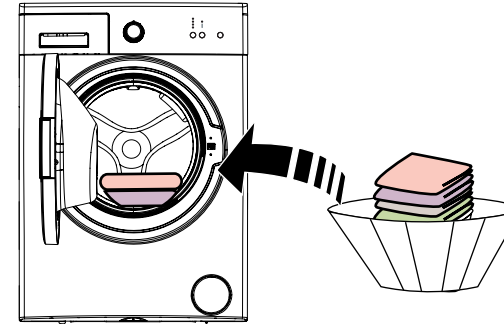


- (*)
- 1- Wash
 - 2- Rinsing
 - 3- Spinning
 - 4- Finished
 - 5- Auxiliary function for delay timer
 - 6- Auxiliary function button 1
 - 7- Start/Pause button
 - 8- Additional Function Leds



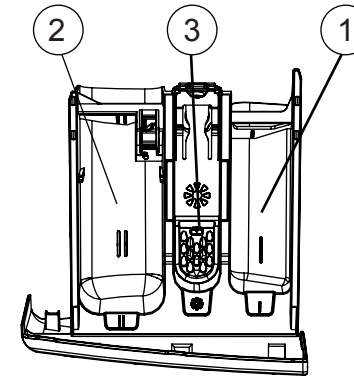
(*) Auxiliary functions vary depending on the model of your machine.

2 Placing Laundry Into The Washing Machine



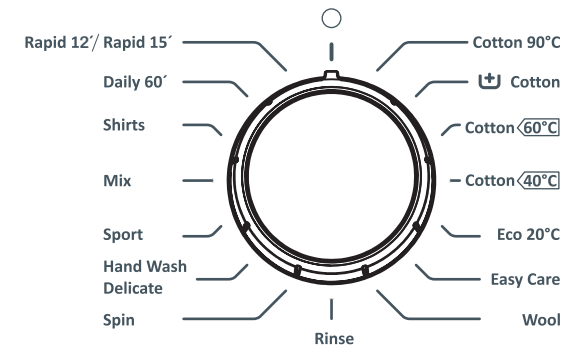
- Open the door of your machine.
- Spread your laundries in your machine.

3 Putting Detergent Into The Washing Machine



- 1- Pre- washing compartment
- 2- Main washing compartment
- 3- Softener compartment

4 Selecting Of Programme (*)



- You can select the programme you want to wash your laundry in through programme knob.
- You may set the programme selection operation by rotating the programme knob in both directions.
- Ensure that the programme knob is exactly on the programme you want to select.

(*) Wash programs vary depending on the model of your machine.